

CABLE ASSEMBLIES REQUEST FORM

Email to info@sabcable.com

Company: _____ **State:** _____

Name: _____

Email: _____

Phone: _____

Cable Assembly Information

END 1

SAB BRÖCKSKES · Cable

END 2

Overall Assembly Length: _____

END 1

OPEN ENDED

Length jacket removed _____ (inches)

Stripped insulation length _____ (inches)

Smooth cut off

CONNECTORIZED

Manufacturer: _____

Item Number: _____

Description: _____

Number of Contacts: _____

Encoding: _____

Plug (male)

Receptacle (female)

Type of Contact:

Solder

Crimp

Insulation Displacement Connector

Housing Type:

Plastic

Metal

Cable Exit:

Angled

Straight

Mounted

Molded

CONFIGURATION

Pin assignment: _____

Shielding (if any) applied:

On the housing

On pin

Cut off

END 2

OPEN ENDED

Length jacket removed _____ (inches)

Stripped insulation length _____ (inches)

Smooth cut off

CONNECTORIZED

Manufacturer: _____

Item Number: _____

Description: _____

Number of Contacts: _____

Encoding: _____

Plug (male)

Receptacle (female)

Type of Contact:

Solder

Crimp

Insulation Displacement Connector

Housing Type:

Plastic

Metal

Cable Exit:

Angled

Straight

Mounted

Molded

CONFIGURATION

Pin assignment: _____

Shielding (if any) applied:

On the housing

On pin

Cut off



REQUEST FORM

Cable Information

SAB cable item # (if available): _____

Dimensions: AWG: _____ Conductor Count: _____ Pair Count: _____

Construction: Insulation: _____ Color code: _____

Shielding:

Unshielded Foil Shield Braiding Individual shield on conductor/pairs

Jacket Material:

PVC PUR Silicone TPE Other : _____

Jacket Color: _____

Special Jacket Legend: _____

Approvals:

UL Style (ex. TC-ER) : _____ UR CSA DNV CE

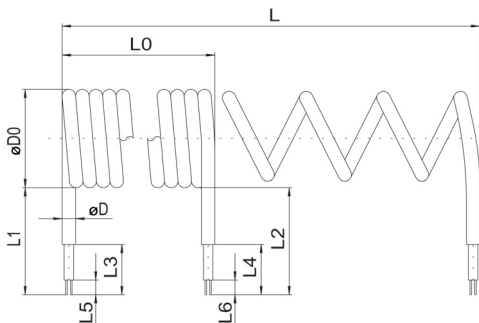
Other : _____

Application Information

Temperature: Low _____ °C High _____ °C Voltage: _____ Amperage: _____

Description of application (including motion/cycle requirements/environment):

Retractable Cord Data



L = _____ inches L2 = _____ inches
 L0 = _____ inches L3 = _____ inches
 øD = _____ inches L4 = _____ inches
 øD0 = _____ inches L5 = _____ inches
 L1 = _____ inches L6 = _____ inches

Shielding: Yes No

Cable ends: Radial Axial Other: _____

