

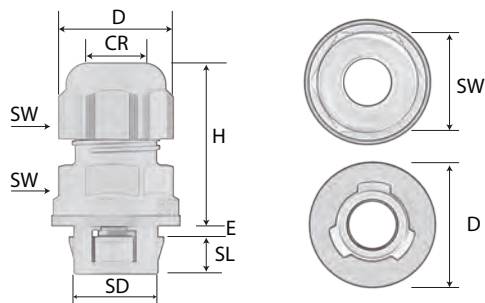
Polyamide 6 Cord Grips

CG 150 Snap-In Glands

Dome cap cord grip, black or gray without threads

Without Threads

Liquid tight seal, fast and easy installation, wide clamping range, multi-purpose applications, easy handling.



Technical data:	
Material:	Polyamide 6
Seal & Gasket:	Chloroprene (CR)
Wall Thickness (E):	0.5 - 4.0 mm
Color:	RAL 7001 (gray) RAL 9005 (black)
Protection type:	IP 68 - 5 Bar NEMA 4X
Temperature range:	permanent: -20°C to +100°C intermittent: -30°C to +150°C
Flammability:	V2 (according to UL 94)
Approvals:	cURus, VDE, DNV-GL, CE



Part Number		Seal Type	Clamping Range Ø min-max (CR)		Snap Length (SL)	Snap Ø (SD)	Mounting Hole Ø	Wrenching Flats Cap & Body (SW)	Outer Ø (D)	Max. Height (H)	UL
gray	black		inches	mm							
PMSG-16	PMSB-16	Single	0.197 - 0.394	5.0 - 10.0	0.354	0.626	0.638 - 0.646	0.866	1.043	1.752	cURus
PMSG-16DS	PMSB-16DS	Double*	0.118 - 0.394	3.0 - 10.0	0.354	0.626	0.638 - 0.646	0.866	1.043	1.752	-
PMSG-20R	PMSB-20R	Single	0.236 - 0.472	6.0 - 12.0	0.354	0.783	0.795 - 0.803	0.945	1.193	1.713	cURus
PMSG-20	PMSB-20	Single	0.276 - 0.512	7.0 - 13.0	0.354	0.783	0.795 - 0.803	0.984	1.193	1.713	cURus
PMSG-20DS	PMSB-20DS	Double*	0.197 - 0.472	5.0 - 12.0	0.354	0.783	0.795 - 0.803	0.945	1.193	1.713	-
PMSG-20CDS	PMSB-20CDS	Double*	0.118 - 0.512	3.0 - 13.0	0.354	0.783	0.795 - 0.803	0.984	1.193	1.713	-
PMSG-25	MSB-25	Single	0.433 - 0.669	11.0 - 17.0	0.354	0.980	0.992 - 1.000	1.142	1.429	1.791	cURus
PMSG-25DS	PMSB-25DS	Double*	0.315 - 0.669	8.0 - 17.0	0.354	0.980	0.992 - 1.000	1.142	1.429	1.791	-
PMSG-32	PMSB-32	Single	0.591 - 0.827	15.0 - 21.0	0.354	1.256	1.268 - 1.276	1.417	1.701	2.028	cURus
PMSG-32DS	PMSB-32DS	Double*	0.433 - 0.827	11.0 - 21.0	0.354	1.256	1.268 - 1.276	1.417	1.701	2.028	-
PMSG-40 ¹	PMSB-40 ¹	Single	0.748 - 1.102	19.0 - 28.0	0.520	1.571	1.583 - 1.591	1.811	2.173	2.283	-
PMSG-40DS	PMSB-40DS	Double*	0.630 - 1.102	16.0 - 28.0	0.520	1.571	1.583 - 1.591	1.811	2.173	2.283	-

*Glands with double seals have no approval
¹PMSG-40 & PSMB-40 are not UL approved



P/N	Gland Size	Height (h) mm
DTS-16	M16	13.0
DTS-20	M20	13.0
DTS-25	M25	13.0
DTS-32	M32	13.0
DTS-40	M40	15.5

Assembly



Disassembling

