

EMC Grounding Accessories

Metal Locknuts / Metal EMC Locknuts

Nickel plated brass locknuts / Nickel plated brass locknuts with grounding teeth

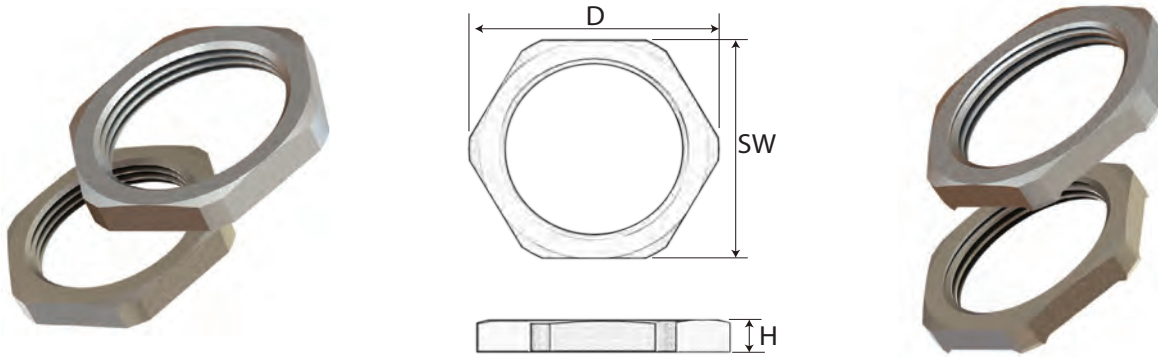
Metric, PG, & NPT Thread

EMC locknut has grounding teeth to make connection to metal panels or control boxes.

Technical data:

Material:

Brass, Nickel Plated



Part Number	Thread Type	Height (H) inches	Diameter (D) inches	Wrenching Flats (SW) inches
Metric-Standard				
LMM-12	M12x1.5	0.110	0.654	0.591
LMM-16	M16x1.5	0.118	0.827	0.748
LMM-20	M20x1.5	0.138	1.043	0.945
LMM-25	M25x1.5	0.157	1.299	1.181
LMM-32	M32x1.5	0.197	1.555	1.417
LMM-40	M40x1.5	0.197	2.008	1.811
LMM-50	M50x1.5	0.197	2.598	2.362
LMM-63	M63x1.5	0.236	3.031	2.756
LMM-75	M75x2.0	0.276	3.528	3.150
LMM-80	M80x2.0	0.315	3.937	3.543
LMM-85	M85x2.0	0.315	4.181	3.740
LMM-90	M90x2.0	0.315	4.409	3.937
PG-Standard				
LPM-7	PG 7	0.110	0.654	0.591
LPM-9	PG 9	0.110	0.787	0.709
LPM-11	PG 11	0.118	0.925	0.827
LPM-13	PG 13.5	0.118	1.004	0.906
LPM-16	PG 16	0.118	1.142	1.024
LPM-21	PG 21	0.138	1.398	1.260
LPM-29	PG 29	0.157	1.772	1.614
LPM-36	PG 36	0.197	2.205	2.008
LPM-42	PG 42	0.197	2.598	2.362
LPM-48	PG 48	0.217	2.776	2.520
NPT-Standard				
LNM-3/8	NPT 3/8	0.197	0.965	0.866
LNM-1/2	NPT 1/2	0.197	1.181	1.063
LNM-3/4	NPT 3/4	0.197	1.437	1.299
LNM-1	NPT 1	0.197	1.831	1.693
LNM-1 1/4	NPT 1 1/4"	0.197	2.087	1.890
LNM-1 1/2	NPT 1 1/2"	0.197	2.402	2.165
LNM-2	NPT 2"	0.217	2.776	2.520

Part Number	Thread Type	Height (H) inches	Diameter (D) inches	Wrenching Flats (SW) inches
Metric-EMC				
LME-12	M12x1.5	0.130	0.650	0.591
LME-16	M16x1.5	0.138	0.827	0.748
LME-20	M20x1.5	0.146	1.043	0.945
LME-25	M25x1.5	0.146	1.299	1.181
LME-32	M32x1.5	0.157	1.555	1.417
LME-40	M40x1.5	0.181	2.008	1.811
LME-50	M50x1.5	0.220	2.598	2.362
LME-63	M63x1.5	0.264	3.031	2.756
PG-EMC				
LPE-7	PG 7	0.130	0.650	0.591
LPE-9	PG 9	0.130	0.787	0.709
LPE-11	PG 11	0.138	0.925	0.827
LPE-13	PG 13.5	0.138	1.004	0.906
LPE-16	PG 16	0.138	1.142	1.024
LPE-21	PG 21	0.157	1.398	1.260
LPE-29	PG 29	0.181	1.772	1.614
LPE-36	PG 36	0.220	2.205	2.008
LPE-42	PG 42	0.220	2.598	2.362
LPE-48	PG 48	0.240	2.776	2.520
NPT-EMC				
LNE-1/4	NPT 1/4"	0.217	0.740	0.669
LNE-3/8	NPT 3/8"	0.224	0.945	0.866
LNE-1/2	NPT 1/2"	0.264	1.043	0.945
LNE-3/4	NPT 3/4"	0.256	1.299	1.181
LNE-1	NPT 1"	0.299	1.752	1.575
LNE-1 1/4	NPT 1 1/4"	0.299	2.185	1.969
LNE-1 1/2	NPT 1 1/2"	0.343	2.520	2.283
LNE-2	NPT 2"	0.425	3.071	2.756

Stainless steel locknuts are available upon request