

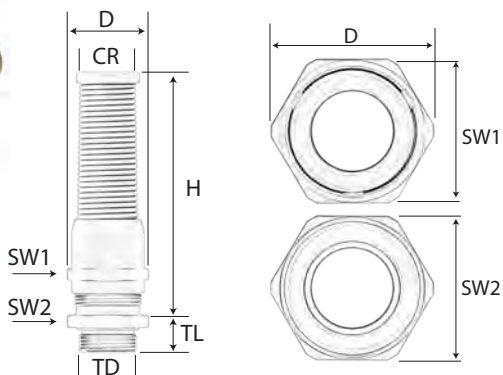
Cord Grips & Accessories

CG 325 Metric & PG Metal Flex Glands

Metal gland with spiral top for bending support

Metric & PG Thread

Strain relief gland offers maximum protection against conductor fatigue caused by flexing



Technical data:

Material:	Brass, Nickel Plated
Clamping Insert:	Polyamide 6
Seal:	Chloroprene (CR)
Bending Spiral:	Stainless steel (AISI 301)
O-ring	Neoprene (NBR)
Protection type:	IP 68 - 5 Bar
Temperature range:	
<i>permanent:</i>	-20°C to +100°C
<i>intermittent:</i>	-40°C to +150°C
Flammability:	V2 (according to UL 94)

Part Number	Thread Type	Clamping Range Ø min-max		Outer Ø (D)	Wrenching Flats		Thread Diameter		Thread Length		Max. Height (H)
		(CR)			Cap (SW1)	Body (SW2)	(TD)		(TL)		
		inches	mm		inches	inches	inches	inches	mm	inches	
Metric											
MMF-12	M12x1.5	0.118 - 0.256	3.0 - 6.5	0.610	0.472	0.551	0.472	12	0.236	6.0	2.362
MMF-16R	M16x1.5	0.118 - 0.276	3.0 - 7.0	0.866	0.630	0.787	0.630	16	0.256	6.5	3.031
MMF-16	M16x1.5	0.197 - 0.394	5.0 - 10.0	0.866	0.630	0.787	0.630	16	0.256	6.5	3.031
MMF-20R	M20x1.5	0.197 - 0.354	5.0 - 9.0	0.965	0.787	0.866	0.787	20	0.315	8.0	3.425
MMF-20	M20x1.5	0.236 - 0.472	6.0 - 12.0	0.965	0.787	0.866	0.787	20	0.315	8.0	3.425
MMF-20C	M20x1.5	0.394 - 0.551	10.0 - 14.0	1.043	0.787	0.945	0.787	20	0.315	8.0	3.602
MMF-25R	M25x1.5	0.276 - 0.472	7.0 - 12.0	1.181	0.984	0.945	0.984	25	0.315	8.0	3.602
MMF-25	M25x1.5	0.394 - 0.551	10.0 - 14.0	1.181	0.984	0.945	0.984	25	0.315	8.0	3.602
MMF-32R	M32x1.5	0.354 - 0.63	9.0 - 16.0	1.476	1.260	1.181	1.260	32	0.354	9.0	3.780
MMF-32	M32x1.5	0.512 - 0.709	13.0 - 18.0	1.476	1.260	1.181	1.260	32	0.354	9.0	3.780
PG											
MPP-11R	PG 11	0.118 - 0.276	3.0 - 7.0	0.866	0.787	0.787	0.732	19	0.236	6.0	2.894
MPP-11	PG 11	0.197 - 0.394	5.0 - 10.0	0.866	0.787	0.787	0.732	19	0.236	6.0	2.894
MPP-13R	PG 13	0.197 - 0.354	5.0 - 9.0	0.965	0.866	0.866	0.803	20	0.256	6.5	3.386
MPP-13	PG 13	0.236 - 0.472	6.0 - 12.0	0.965	0.866	0.866	0.803	20	0.256	6.5	3.386
MFP-16R	PG 16	0.276 - 0.472	7.0 - 12.0	1.043	0.945	0.945	0.886	23	0.256	6.5	3.602
MFP-16	PG 16	0.394 - 0.551	10.0 - 14.0	1.043	0.945	0.945	0.886	23	0.256	6.5	3.602
MFP-21R	PG 21	0.354 - 0.630	9.0 - 16.0	1.299	1.181	1.181	1.114	28	0.283	7.2	3.799
MFP-21	PG 21	0.512 - 0.709	13.0 - 18.0	1.299	1.181	1.181	1.114	28	0.283	7.2	3.799