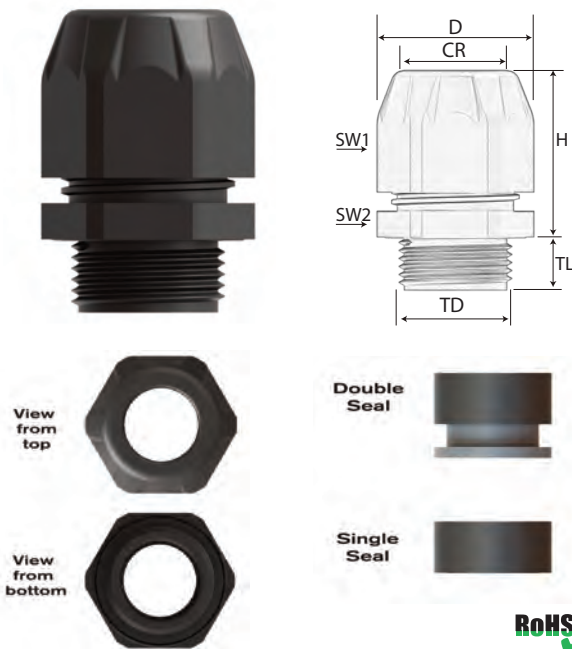


Explosion Proof Glands

EX 150 Metric

High Impact Polyamide 6 EX e dome cap glands

Metric Thread



Technical data:

Material:	Polyamide 6		
Seal	Chloroprene (CR)		
Color:	Black (RAL 9005)		
Protection type:	IP 68 5 bar (30 min)		
Temperature range:	-40°C to +70°C		
<i>Ex e/tb / Ex tb / Ex i:</i>			
Suitable for use in:	Group II	Gas Group IIC	ZONE 1/ZONE 2
	Group III	Dust Group IIIC	ZONE 21/ZONE22
Equipment marking:	Ex II 2GD; Ex eb IIC Gb Ex tb IIIC Db		
Marking example	BMD EHIBM-X... CE 0722 2GD Ex eb IIC Gb Ex tb IIIC Db Ta-40°C +70°C IP66/68 IECEx IMQ 13.0003X IMQ 13 ATEX 010		
Impact test result:	7		

Approval	Certificate Number	Standards
ATEX	IMQ 13 ATEX 010X	EN 60079-0:2012+A11:2013; EN 60079-1:2014; EN 60079-7:2015; EN 60079-31:2014
IECEx	IECEx IMQ 13.0003X	IEC 60079-0:2011; IEC 60079-7:2016-07; IEC 60079-31:2013
EAC	No TC RU C-TR. AA87B.00941	ГОСТ 31610.0-2014; ГОСТ IEC 60079-1:2013; ГОСТ IEC 60079-31:2013
IN METRO	DNV 18.0150 X	ABNT NBR IEC 60079-0:2013; ABNT NBR IEC 60079-7:2008; ABNT NBR IEC 60079-31:2011
MARINE	TAE00003WV	IEC/EN60079-0; IEC/EN60079-7; IEC/EN60079-31; IEC/EN 62444

Part Number	Thread Type	Seal Type	Clamping Range Ø min-max (CR)		Outer Diameter (D) inches	Wrenching Flats		Thread Diameter (TD)		Thread Length (TL) inches	Max. Height (H) inches
			inches	mm		Cap (SW1) inches	Body (SW2) inches	inches	mm		
			Metric								
EXMH-12R	M12x1.5	Double	0.118 - 0.256	3.0 - 6.5	0.669	0.591	0.591	0.472	12	0.394	1.193
EXMH-12	M12x1.5	Single	0.157 - 0.256	4.0 - 6.5	0.669	0.591	0.591	0.472	12	0.394	1.193
EXMH-16R	M16x1.5	Double	0.157 - 0.315	4.0 - 8.0	0.839	0.748	0.748	0.630	16	0.394	1.323
EXMH-16C	M16x1.5	Double	0.157 - 0.394	4.0 - 10.0	0.984	0.866	0.866	0.630	16	0.394	1.465
EXMH-16	M16x1.5	Single	0.197 - 0.315	5.0 - 8.0	0.839	0.748	0.748	0.630	16	0.394	1.323
EXMH-16CL	M16x1.5	Single	0.236 - 0.394	6.0 - 10.0	0.984	0.866	0.866	0.630	16	0.591	1.465
EXMH-20R	M20x1.5	Double	0.157 - 0.512	4.0 - 13.0	1.083	0.984	0.984	0.787	20	0.394	1.512
EXMH-20	M20x1.5	Single	0.236 - 0.394	6.0 - 10.0	1.083	0.866	0.945	0.787	20	0.394	1.465
EXMH-20L	M20x1.5	Single	0.236 - 0.472	6.0 - 12.0	1.083	0.945	0.945	0.787	20	0.591	1.488
EXMH-20CL	M20x1.5	Single	0.276 - 0.472	7.0 - 12.0	1.083	0.945	0.945	0.787	20	0.591	1.488
EXMH-20CL-2	M20x1.5	Double	0.315 - 0.551	8.0 - 14.0	1.220	1.063	1.063	0.787	20	0.591	1.457
EXMH-20CL-3	M20x1.5	Single	0.433 - 0.551	11.0 - 14.0	1.220	1.063	1.063	0.787	20	0.591	1.457
EXMH-25R	M25x1.5	Double	0.354 - 0.669	9.0 - 17.0	1.280	1.142	1.142	0.984	25	0.591	1.661
EXMH-25	M25x1.5	Double	0.394 - 0.709	10.0 - 18.0	1.457	1.299	1.299	0.984	25	0.591	1.717
EXMH-25C	M25x1.5	Single	0.472 - 0.669	12.0 - 17.0	1.280	1.142	1.142	0.984	25	0.591	1.661
EXMH-25C-2	M25x1.5	Single	0.551 - 0.709	14.0 - 18.0	1.457	1.299	1.299	0.984	25	0.591	1.717
EXMH-32R	M32x1.5	Double	0.472 - 0.827	12.0 - 21.0	1.614	1.417	1.417	1.260	32	0.591	1.862
EXMH-32	M32x1.5	Single	0.551 - 0.709	14.0 - 18.0	1.614	1.299	1.417	1.260	32	0.394	1.717
EXMH-32C	M32x1.5	Double	0.551 - 0.984	14.0 - 25.0	1.870	1.654	1.654	1.260	32	0.591	1.917
EXMH-32C-2	M32x1.5	Single	0.630 - 0.827	16.0 - 21.0	1.614	1.417	1.417	1.260	32	0.591	1.862
EXMH-32C-3	M32x1.5	Single	0.748 - 0.984	19.0 - 25.0	1.870	1.654	1.654	1.260	32	0.591	1.917
EXMH-40R	M40x1.5	Double	0.669 - 1.102	17.0 - 28.0	2.047	1.811	1.811	1.575	40	0.591	2.063
EXMH-40	M40x1.5	Single	0.787 - 1.102	20.0 - 28.0	2.047	1.811	1.811	1.575	40	0.591	2.063
EXMH-40C	M40x1.5	Double	0.827 - 1.260	21.0 - 32.0	2.362	2.087	2.087	1.575	40	0.709	2.280
EXMH-40C-2	M40x1.5	Single	0.906 - 1.260	23.0 - 32.0	2.362	2.087	2.087	1.575	40	0.709	2.280
EXMH-50R	M50x1.5	Double	0.866 - 1.496	22.0 - 38.0	2.657	2.362	2.362	1.969	50	0.709	2.366
EXMH-50	M50x1.5	Single	1.220 - 1.496	31.0 - 38.0	2.657	2.362	2.362	1.969	50	0.709	2.366
EXMH-63R	M63x1.5	Double	1.102 - 1.732	28.0 - 44.0	2.835	2.559	2.559	2.480	63	0.709	2.378
EXMH-63	M63x1.5	Single	1.378 - 1.732	35.0 - 44.0	2.835	2.559	2.559	2.480	63	0.709	2.378