

Ventilation Plugs

VP Vent PA6

Polyamide vent plug, black or gray

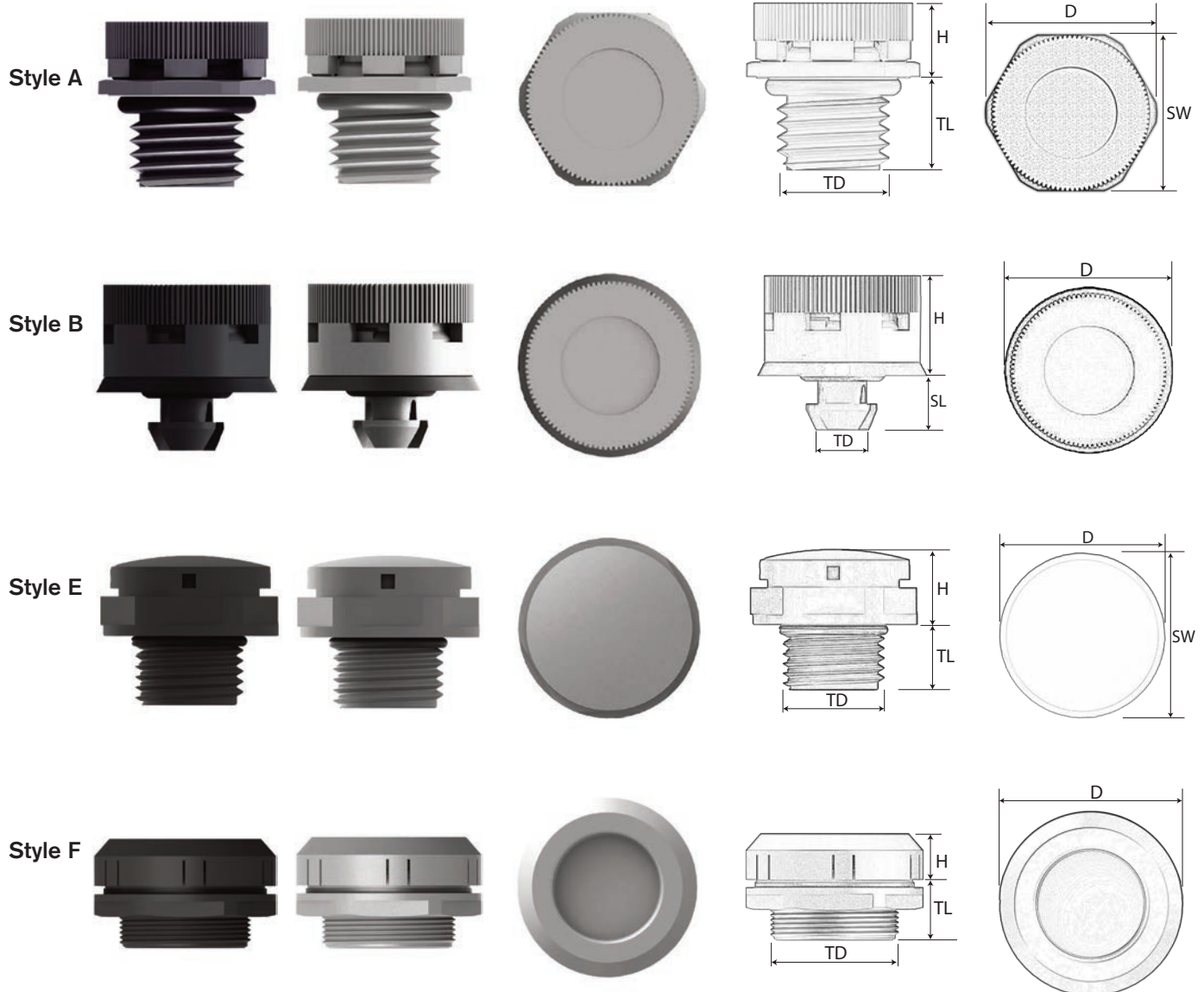
Metric Thread
and Quick Fit

Vent plugs are used to balance the pressure in an enclosure to protect electronic connections from condensation. They are UL approved and chemical resistant. The vent plugs come in black or gray polyamide with different air flow ratings.

- Balances pressure difference between inner housing and the outside environment.
- Prevents damage according to pressure differences.
- Prevents the formation of water condensation in tightly-sealed standard housing.
- Membrane properties: hydrophobic, oleophobic.

Technical data:

Body:	Polyamide 6
Cap:	Polyamide 6
Vent element:	Acrylic Co-Polymer on Nylon Support
Seal:	Chloroprene (CR)
Washer:	Neoprene (NBR)
Protection type:	IP 67/68 (for water intrusion pressure oil bar)
Temperature range:	
<i>permanent:</i>	-20°C to +100°C
<i>intermittent:</i>	-30°C to +150°C
Approvals:	cURus, CE



Ventilation Plugs

VP Vent PA6

Polyamide vent plug, black or gray

Metric Thread
and Quick Fit

Vent plugs are used to balance the pressure in an enclosure to protect electronic connections from condensation. They are UL approved and chemical resistant. The vent plugs come in black or gray polyamide with different air flow ratings.

- Balances pressure difference between inner housing and the outside environment.
- Prevents damage according to pressure differences.
- Prevents the formation of water condensation in tightly-sealed standard housing.
- Membrane properties: hydrophobic, oleophobic.

Technical data:

Body:	Polyamide 6
Cap:	Polyamide 6
Vent element:	Acrylic Co-Polymer on Nylon Support
Seal:	Chloroprene (CR)
Washer:	Neoprene (NBR)
Protection type:	IP 67/68 (for water intrusion pressure oil bar)
Temperature range:	
<i>permanent:</i>	-20°C to +100°C
<i>intermittent:</i>	-30°C to +150°C
Approvals:	cURus, CE



Part Number	Style	Average Air Flow	Water Intrusion	Thread Size	Thread Length (TL)	Thread Diameter (TD)	Wrenching Flats (SW)	Outer Diameter (D)	max. Height (H)	UL	
											Gray
VPG-01	VPB-01	B	16	0.9	QUICK FIT	0.295	0.217	-	0.728	0.429	-
VPG-02	VPB-02	A	16	0.9	M12x1.5	0.236	0.472	0.669	0.728	0.299	cURus
VPG-02L	VPB-02L	A	16	0.9	M12x1.5	0.394	0.472	0.669	0.728	0.299	cURus
VPG-03	VPB-03	B	25	0.5	QUICK FIT	0.295	0.217	-	0.728	0.429	-
VPG-04	VPB-04	A	25	0.5	M12x1.5	0.236	0.472	0.669	0.728	0.299	cURus
VPG-04L	VPB-04L	A	25	0.5	M12x1.5	0.394	0.472	0.669	0.728	0.299	cURus
VPG-04H	VPB-04H	E	42	0.9	M12x1.5	0.394	0.472	0.945	1.024	0.461	-
VPG-05	VPB-05	E	42	0.9	M16x1.5	0.394	0.630	0.945	1.024	0.461	-
VPG-06	VPB-06	E	42	0.9	M20x1.5	0.394	0.787	0.945	1.024	0.461	-
VPG-07	VPB-07	B	120	0.2	QUICK FIT	0.295	0.217	-	0.728	0.429	-
VPG-08H	VPB-08H	E	120	0.5	M12x1.5	0.394	0.472	0.945	1.024	0.461	-
VPG-08	VPB-08	A	120	0.2	M12x1.5	0.236	0.472	0.669	0.728	0.299	cURus
VPG-08L	VPB-08L	A	120	0.2	M12x1.5	0.394	0.472	0.669	0.728	0.299	cURus
VPG-09	VPB-09	E	120	0.5	M16x1.5	0.394	0.630	0.945	1.024	0.461	-
VPG-10	VPB-10	E	120	0.5	M20x1.5	0.394	0.787	0.945	1.024	0.461	-
VPG-11	VPB-11	F	120	0.9	M40x1.5	0.709	1.575	-	2.177	0.610	-
VPG-12	VPB-12	B	300	0.1	QUICK FIT	0.295	0.217	-	0.728	0.429	-
VPG-13	VPB-13	A	300	0.1	M12x1.5	0.236	0.472	0.669	0.728	0.299	cURus
VPG-13L	VPB-13L	A	300	0.1	M12x1.5	0.394	0.472	0.669	0.728	0.299	cURus
VPG-14	VPB-14	F	375	0.5	M40x1.5	0.709	1.575	-	2.185	0.610	-
VPG-15	VPB-15	E	450	0.2	M12x1.5	0.394	0.472	0.945	1.024	0.461	-
VPG-16	VPB-16	E	450	0.2	M16x1.5	0.394	0.630	0.945	1.024	0.461	-
VPG-17	VPB-17	E	450	0.2	M20x1.5	0.394	0.787	0.945	1.024	0.461	-
VPG-18	VPB-18	E	750	0.1	M12x1.5	0.394	0.472	0.945	1.024	0.461	-
VPG-19	VPB-19	E	750	0.1	M16x1.5	0.394	0.630	0.945	1.024	0.461	-
VPG-20	VPB-20	E	750	0.1	M20x1.5	0.394	0.787	0.945	1.024	0.461	-
VPG-21	VPB-21	F	1350	0.2	M40x1.5	0.709	1.575	-	2.177	0.610	-
VPG-22	VPB-22	F	2200	0.1	M40x1.5	0.709	1.575	-	2.177	0.610	-